

# Self-Lubricating Bearing

## 自潤軸承



[www.bfbearing.com](http://www.bfbearing.com)  
[bfbearing@bfbearing.com](mailto:bfbearing@bfbearing.com)



**BF Bearing Enterprise**  
商帥企業有限公司

# Table of Contents

## I. Self-Lubricating Bushings

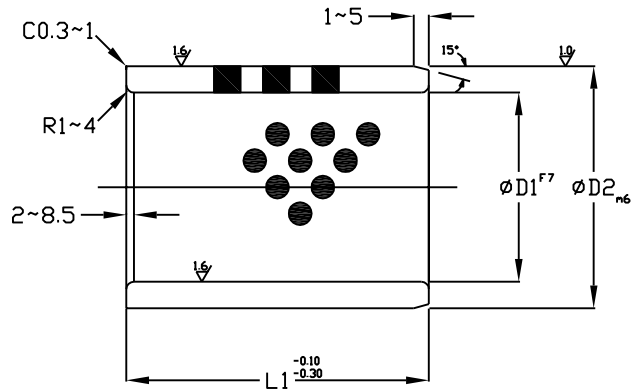
- A. BF-50A – Straight Bushing
- B. BF-50AF – Flanged Bushing
- C. BF-50AFG – Flanged Bushing w/ Lubricated Flange
- D. BF-50A4 – Straight Bushing (Waterproof)
- E. BF-50AW – Washer Plate
- F. BF-50AB – Spherical Bushing w/ Casting
- G. BF-50B – Straight Bushing (Bronze)

## II. Die/Mold Bushings

- A. BF-50AGB – Straight Guide Bushing
- B. BF-50AGF – Shoulder Guide Bushing
- C. BF-50AGE – Ejector Guide Bushing
- D. BF-50ASE – Short Ejector Guide Bushing
- E. BF-50AFP – Wear Plate
- F. BF-50AWP – Wear Plate
- G. BF-50ALP – L-Gibs
- H. BF-50ASP – Slide Plate



# 商帥企業有限公司 BF Bearing Enterprise



Straight Bushing - Self-Lubricating					
BF Bearing Code	D1	D1 Tol F7	D2	D2 Tol m6	L1 Overall Length
50A-081208	8	+0.028 +0.013	12		08
50A-081210					10
50A-081212					12
50A-081215					15
50A-101408					10
50A-101410	10				
50A-101412	12				
50A-101415	15				
50A-101420	20				
50A-121808	12	+0.034 +0.016	18	+0.018 +0.007	08
50A-121810					10
50A-121812					12
50A-121815					15
50A-121816					16
50A-121819					19
50A-121820					20
50A-121825					25
50A-121830					30
50A-131910					13
50A-131912	12				
50A-131915	15				
50A-131920	20				
50A-142010	14	+0.034 +0.016	20	+0.021 +0.008	
50A-142012					12
50A-142015					15
50A-142020					20
50A-142025					25
50A-142030					30

Straight Bushing - Self-Lubricating					
BF Bearing Code	D1	D1 Tol F7	D2	D2 Tol m6	L1 Overall Length
50A-152110	15		21		10
50A-152112					12
50A-152115					15
50A-152116					16
50A-152120					20
50A-152125					25
50A-162210	16	+0.034 +0.016	22	+0.021 +0.008	10
50A-162212					12
50A-162215					15
50A-162216					16
50A-162219					19
50A-162220					20
50A-162225					25
50A-162230					30
50A-162235					35
50A-162240					40
50A-172315	17		23		15
50A-182412	18		24		12
50A-182415					15
50A-182416					16
50A-182420					20
50A-182425					25
50A-182430					30
50A-192615	19	+0.041 +0.020	26		15
50A-192620					20
50A-202810					10
50A-202812	20		28		12



商帥企業有限公司

**BF Bearing Enterprise**

**Straight Bushing - Self-Lubricating**

BF Bearing Code	D1	D1 Tol F7	D2	D2 Tol m6	L1 Overall Length		
50A-202815	20		28	+ 0.021 + 0.008	15		
50A-202816					16		
50A-202819					19		
50A-202820					20		
50A-202825					25		
50A-202830					30		
50A-202835					35		
50A-202840			40				
50A-202850			50				
50A-203016			30			30	16
50A-203020							20
50A-203025							25
50A-203030							30
50A-203035							35
50A-203040	40						
50A-223212	22			32			12
50A-223215			15				
50A-223220			20				
50A-223225	25	+0.041 +0.020	33	25			
50A-253312				12			
50A-253315				15			
50A-253316				16			
50A-253320				20			
50A-253325				25			
50A-253330				30			
50A-253335			35				
50A-253340			40				
50A-253350			50				
50A-253360			60				
50A-253512			35		35	+ 0.025 + 0.009	12
50A-253515						15	
50A-253516						16	
50A-253520	20						
50A-253525	25						
50A-253530	30						
50A-253535	35						
50A-253540	40						
50A-253550	50						
50A-283820	28		38	20			
50A-283825				25			
50A-283830				30			
50A-283840				40			

**Straight Bushing - Self-Lubricating**

BF Bearing Code	D1	D1 Tol F7	D2	D2 Tol m6	L1 Overall Length			
50A-303812	30		38		12			
50A-303815					15			
50A-303820					20			
50A-303825					25			
50A-303830					30			
50A-303835					35			
50A-303840					40			
50A-303850					50			
50A-303860					60			
50A-304012					40	+0.041 +0.020	40	12
50A-304015								15
50A-304020								20
50A-304025								25
50A-304030								30
50A-304035	35							
50A-304040	40							
50A-304050	31.5			50				
50A-304060				60				
50A-314030				30				
50A-314040				40				
50A-324220				32		42	+ 0.025 + 0.009	20
50A-324230							30	
50A-324240							40	
50A-354420				35	+0.050 +0.025	44	20	
50A-354425							25	
50A-354430							30	
50A-354435							35	
50A-354440							40	
50A-354450							50	
50A-354460							60	
50A-354520	45		45	20				
50A-354525				25				
50A-354530				30				
50A-354535				35				
50A-354540				40				
50A-354550				50				
50A-354560				60				
50A-384840	38	40	48	40				
50A-405015	40		50	15				
50A-405020			20					
50A-405025			25					
50A-405030		30						



商帥企業有限公司

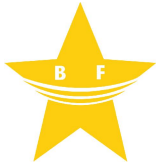
**BF Bearing Enterprise**

**Straight Bushing - Self-Lubricating**

BF Bearing Code	D1	D1 Tol F7	D2	D2 Tol m6	L1 Overall Length				
50A-405035	40		50	+ 0.025 + 0.009	35				
50A-405040					40				
50A-405050					50				
50A-405060					60				
50A-405070					70				
50A-405080					80				
50A-405515			45	+0.050 +0.025	55		15		
50A-405530							30		
50A-405535							35		
50A-405540							40		
50A-405550							50		
50A-405560							60		
50A-455530					50		56		30
50A-455535									35
50A-455540	40								
50A-455550	50								
50A-455560	60								
50A-455630	30								
50A-455635	35								
50A-455640	40								
50A-455650	50								
50A-455660	60								
50A-456030	60		60				30		
50A-456035							35		
50A-456040							40		
50A-456050							50		
50A-456060					60				
50A-456070					70				
50A-456080			80						
50A-506020			50		62		20		
50A-506030							30		
50A-506035							35		
50A-506040							40		
50A-506050							50		
50A-506060							60		
50A-506070					70				
50A-506080	80								
50A-506230							30		
50A-506235							35		
50A-506240							40		
50A-506250							50		
50A-506260							60		

**Straight Bushing - Self-Lubricating**

BF Bearing Code	D1	D1 Tol F7	D2	D2 Tol m6	L1 Overall Length				
50A-506270	50	+0.050 +0.025	62		70				
50A-506530			30						
50A-506540			40						
50A-506550			50						
50A-506560			60						
50A-506570			70						
50A-506580			80						
50A-5065100			100						
50A-557030			55			70		30	
50A-557035								35	
50A-557040	40								
50A-557050	50								
50A-557060	60								
50A-557070	70								
50A-607430	60	+0.060 +0.030		74				+ 0.030 + 0.011	30
50A-607435									35
50A-607440									40
50A-607450									50
50A-607460			60						
50A-607470			70						
50A-607480			80						
50A-607530			30						
50A-607535			35						
50A-607540			40						
50A-607550	50								
50A-607560	60								
50A-607570	70								
50A-607580	80								
50A-6075100	100								
50A-637560	63				60				
50A-637570					70				
50A-637580					80				
50A-658040	65		80		40				
50A-658050					50				
50A-658060					60				
50A-658070					70				
50A-658080					80				
50A-708530					70		85	+ 0.035 + 0.013	30
50A-708535	35								
50A-708540	40								
50A-708550	50								
50A-708560	60								



# 商帥企業有限公司

# BF Bearing Enterprise

Straight Bushing - Self-Lubricating					
BF Bearing Code	D1	D1 Tol F7	D2	D2 Tol m6	L1 Overall Length
50A-708570	70		85		70
50A-708580					80
50A-7085100					100
50A-709050					50
50A-709060			60		
50A-709070			70		
50A-709080			80		
50A-759050			75		+0.060 +0.030
50A-759060	60				
50A-759070	70				
50A-759080	80				
50A-7590100	100				
50A-759560	60				
50A-759570	70				
50A-759580	80				
50A-7595100	100				
50A-809640	80		95		40
50A-809650					50
50A-809660					60
50A-809670					70
50A-809680			80		
50A-8096100			100		
50A-8096120			120		
50A-8010040			100		
50A-8010050	50				
50A-8010060	60				
50A-8010070	70				
50A-8010080	80				
50A-80100100	100				
50A-80100120	120				
50A-80100140	140				
50A-8510060	85	+0.071 +0.036			60
50A-8510080	80				
50A-9011050	90		110		50
50A-9011060					60
50A-9011080					80

Straight Bushing - Self-Lubricating					
BF Bearing Code	D1	D1 Tol F7	D2	D2 Tol m6	L1 Overall Length
50A-9011090	90		110		90
50A-90110100					100
50A-90110120					120
50A-10012050					50
50A-10012060	100		120	+0.035 +0.013	60
50A-10012070					70
50A-10012080					80
50A-10012090					90
50A-100120100					100
50A-100120120					120
50A-100120140					140
50A-11013050					110
50A-11013070	70				
50A-11013080	80				
50A-110130100	100				
50A-110130120	120				
50A-12014070	120		140		70
50A-12014080					80
50A-12014090					90
50A-120140100					100
50A-120140120	120				
50A-120140140	140				
50A-125145100	125		145	+0.040 +0.015	100
50A-125145120					120
50A-13015080	130		150		80
50A-130150100					100
50A-130150130					130
50A-140160100	140	+0.083 +0.043	160		100
50A-140160140					140
50A-15017080	150		170		80
50A-150170100					100
50A-150170150					150
50A-16018080	160		180		80
50A-160180100					100
50A-160180150					150

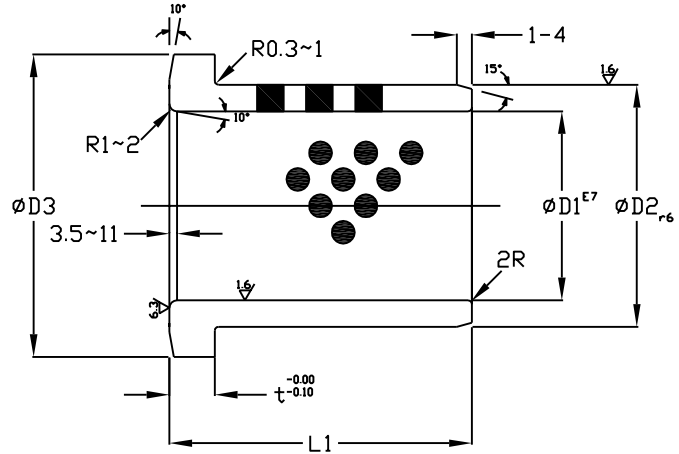
**NOTE:**

Evenly distributed graphite to cover 20-30% of the sliding surface.  
 Graphite to be positioned to insure overlapping in the sliding direction.  
 Bushings require initial lubrication with light oil. Do not use grease!

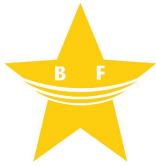


# 商帥企業有限公司

## BF Bearing Enterprise



Flanged Bushing - Self-Lubricating							
BF Bearing Code	D1	D1 Tol E7	D2	D2 Tol r6	D3	t	L1 Overall Length
50AF-0810	8		12		20		10
50AF-0815							15
50AF-1010	10	+0.040 +0.025	14	+ 0.034 + 0.023	22	2	10
50AF-1012							12
50AF-1015							15
50AF-1017							17
50AF-1020							20
50AF-1210							12
50AF-1215	15						
50AF-1220	20						
50AF-1225	25						
50AF-1230	30						
50AF-1315	13		19		26		15
50AF-1320							20
50AF-1415	14	+0.050 +0.032	20		27	3	15
50AF-1420							20
50AF-1425							25
50AF-1510							10
50AF-1515	15		21	+ 0.041 + 0.028	28		15
50AF-1520							20
50AF-1525							25
50AF-1530							30
50AF-1615							15
50AF-1618	16		22		29		18
50AF-1620							20
50AF-1623							23

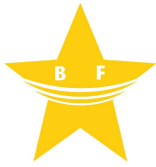


商帥企業有限公司

**BF Bearing Enterprise**

Flanged Bushing - Self-Lubricating							
BF Bearing Code	D1	D1 Tol E7	D2	D2 Tol r6	D3	t	L1 Overall Length
50AF-1625	16	+0.050 +0.032	22	+ 0.041 + 0.028	29	3	25
50AF-1630							30
50AF-1635							35
50AF-1640							40
50AF-1820	18		24		32		20
50AF-1830							30
50AF-2015	20		30		40		15
50AF-2020							20
50AF-2025							25
50AF-2030							30
50AF-2035							35
50AF-2040							40
50AF-2515	25	+0.061 +0.040	35		45		15
50AF-2520							20
50AF-2525							25
50AF-2530							30
50AF-2535							35
50AF-2540							40
50AF-2550	50						
50AF-3020	30		40	+ 0.050 + 0.034	50	5	20
50AF-3025							25
50AF-3030							30
50AF-3035							35
50AF-3040							40
50AF-3050							50
50AF-3120	31.5						20
50AF-3130							30
50AF-3135							35
50AF-3140							40
50AF-3520	35	+0.075 +0.050	45		60		20
50AF-3525							25
50AF-3530							30
50AF-3535							35
50AF-3540							40
50AF-3550							50
50AF-4020	40		50		65		20
50AF-4025							25
50AF-4030							30





# 商帥企業有限公司

## BF Bearing Enterprise

Flanged Bushing - Self-Lubricating								
BF Bearing Code	D1	D1 Tol E7	D2	D2 Tol r6	D3	t	L1 Overall Length	
50AF-4035	40	+0.075 +0.050	50	+ 0.050 + 0.034	65	5	35	
50AF-4040							40	
50AF-4050							50	
50AF-4530	45		55	70	30			
50AF-4535					35			
50AF-4540					40			
50AF-4550					50			
50AF-4560	50		60	75	+ 0.060 + 0.041		7.5	60
50AF-5030								30
50AF-5035								35
50AF-5040		40						
50AF-5050		50						
50AF-5060		60						
50AF-5540	55	+0.090 +0.060	65	80	10	40		
50AF-5560						60		
50AF-6040	60		75	+ 0.062 + 0.043		90	40	
50AF-6050							50	
50AF-6060							60	
50AF-6080							80	
50AF-6367							63	85
50AF-6560	65		95	60				
50AF-7050	70		85	105		+ 0.073 + 0.051	7.5	50
50AF-7080								80
50AF-7560		75			110			60
50AF-8060	80	100	120	+ 0.076 + 0.054	10	60		
50AF-8080						80		
50AF-80100						100		
50AF-9060	90	+0.107 +0.072	110	130	10	60		
50AF-9080						80		
50AF-10080	100		120	150		+ 0.088 + 0.063	10	80
50AF-100100		100						
50AF-12080	120	140	170		10	80		
50AF-120100						100		

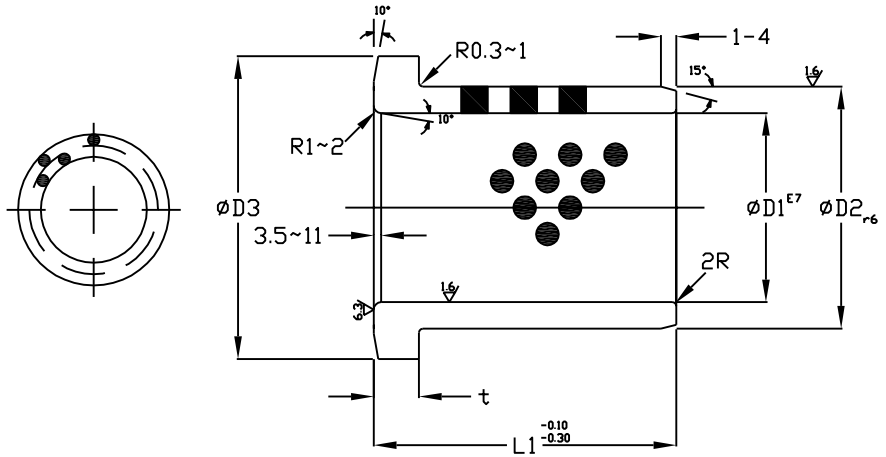
**NOTE:**

Evenly distributed graphite to cover 20-30% of the sliding surface.  
 Graphite to be positioned to insure overlapping in the sliding direction.  
 Bushings require initial lubrication with light oil. Do not use grease!



# 商帥企業有限公司

# BF Bearing Enterprise



Shoulder Bushing w/ Lubricant on Flange - Self Lubricating									
BF Bearing Code	D1	D1 Tol E7	D2	D2 Tol r6	D3	D3 Tol	t	t tol	L1 Overall Length
50AFG-1211	12		18	+0.034 +0.023	30				11
50AFG-1223									23
50AFG-1513	15	+0.050 +0.032	21	+0.041 +0.028	35		3		13
50AFG-1613	16		22						18
50AFG-1618		18		24		40			
50AFG-1818	20	+0.061 +0.041	28	+0.050 +0.034	45				20
50AFG-2020	25		33		50				25
50AFG-2025	25		38	+0.050 +0.034	55		5	0 -0.03	25
50AFG-2520									30
50AFG-2525	35		50	+0.075 +0.050	70		7		27
50AFG-3025									40
50AFG-3035	40		62	+0.060 +0.041	90		8		47
50AFG-4027									50
50AFG-4037	50		74	+0.060 +0.041	110		8		48
50AFG-4047									60
50AFG-5038	60		85	+0.073 +0.051	120		10	0 -0.04	38
50AFG-5048									70
50AFG-5058	70	+0.090 +0.060	96		140				50
50AFG-6038									80
50AFG-6068	80								60
50AFG-7050									80
50AFG-7080	80								90
50AFG-8060	80								90
50AFG-8090	80								90

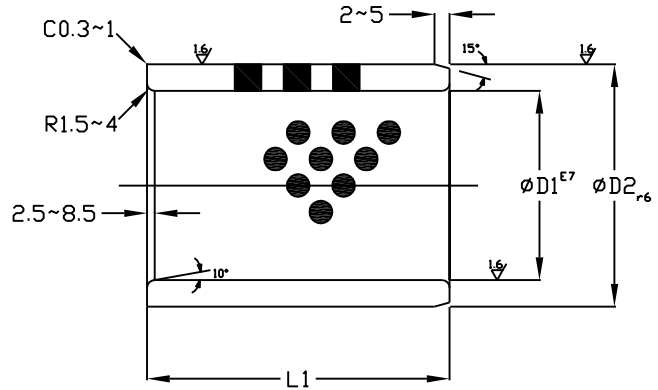
**NOTE:**

Evenly distributed graphite to cover 20-30% of the sliding surface.  
 Graphite to be positioned to insure overlapping in the sliding direction.  
 Bushings require initial lubrication with light oil. Do not use grease!



商帥企業有限公司

**BF Bearing Enterprise**



Waterproof Straight Bushing - Self-Lubricating					
BF Bearing Code	D1	D1 Tol E7	D2	D2 Tol r6	L1 Overall Length
50A4-121820	12	+0.050 +0.032	18	+0.034 +0.023	20
50A4-152120	15		21		20
50A4-162220	16		22		20
50A4-162230			30		20
50A4-182420	18		24		+0.041 +0.028
50A4-203020	20	30	20		
50A4-203030			30		
50A4-203040			40		
50A4-253520	25	+0.061 +0.040	35	+0.050 +0.034	20
50A4-253525					25
50A4-253530					30
50A4-253540					40
50A4-253550					50
50A4-304020	30	+0.061 +0.040	40	+0.050 +0.034	20
50A4-304025					25
50A4-304030					30
50A4-304040					40
50A4-304050					50
50A4-354520	35	+0.075 +0.050	45	+0.050 +0.034	20
50A4-354530					30
50A4-354535					35
50A4-354540					40
50A4-354550					50
50A4-405030	40	+0.075 +0.050	50	+0.050 +0.034	30
50A4-405040					40
50A4-405050					50
50A4-405060					60

Waterproof Straight Bushing - Self-Lubricating					
BF Bearing Code	D1	D1 Tol E7	D2	D2 Tol r6	L1 Overall Length
50A4-405540	40	+0.075 +0.050	55	+0.060 +0.041	40
50A4-405550					50
50A4-405560					60
50A4-456030	45	+0.075 +0.050	60	+0.060 +0.041	30
50A4-456050					50
50A4-456060	50	+0.075 +0.050	60	+0.060 +0.041	50
50A4-506040					40
50A4-506050					50
50A4-506060					60
50A4-506540					40
50A4-506550	50	+0.075 +0.050	65	+0.060 +0.041	50
50A4-506560					60
50A4-506570					70
50A4-557040	55	+0.090 +0.060	70	+0.062 +0.043	40
50A4-557060					60
50A4-557070					70
50A4-607550	60	+0.090 +0.060	75	+0.062 +0.043	50
50A4-607560					60
50A4-607570					70
50A4-607580					80
50A4-658060					60
50A4-658070	65	+0.090 +0.060	80	+0.062 +0.043	70
50A4-658080					80
50A4-709060	70	+0.090 +0.060	90	+0.073 +0.051	60
50A4-709070					70
50A4-709080					80
50A4-709090					90
50A4-7090100					100



商帥企業有限公司

**BF Bearing Enterprise**

Waterproof Straight Bushing - Self Lubricating					
BF Bearing Code	D1	D1 Tol F7	D2	D2 Tol m6	L1 Overall Length
50A4-759570	75		95		70
50A4-7595100					100
50A4-8010060	80	+0.090 +0.060	100	+ 0.073 + 0.051	60
50A4-8010080					80
50A4-8010090					90
50A4-80100100					100
50A4-80100110					110
50A4-9011060	90		110		60
50A4-9011080					80
50A4-9011090					90
50A4-90110100	100	+0.107 +0.072	120	+ 0.076 + 0.054	100
50A4-10012060					60
50A4-10012080					80
50A4-100120100					100
50A4-100120120					120
50A4-110130100	110		130		100
50A4-110130110					110
50A4-12014080	120		140	+ 0.088 + 0.063	80
50A4-120140100					100
50A4-120140120					120
50A4-130150100	130		150	+ 0.090 + 0.065	100
50A4-130150130					130
50A4-130150150					150
50A4-140160100	140	+0.125 +0.085	160		100
50A4-140160140					140
50A4-150170100	150		170	+ 0.093 + 0.068	100
50A4-150170150					150
50A4-160180100	160		180		100
50A4-160180150					150

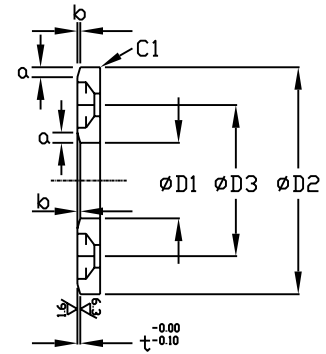
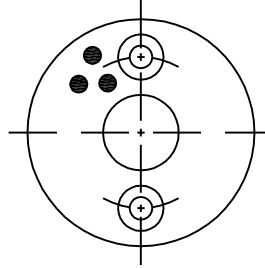
**NOTE:**

Evenly distributed graphite to cover 20-30% of the sliding surface.  
 Graphite to be positioned to insure overlapping in the sliding direction.  
 Bushings require initial lubrication with light oil. Do not use grease!



# 商帥企業有限公司

## BF Bearing Enterprise



### Washer Plate - Self-Lubricating

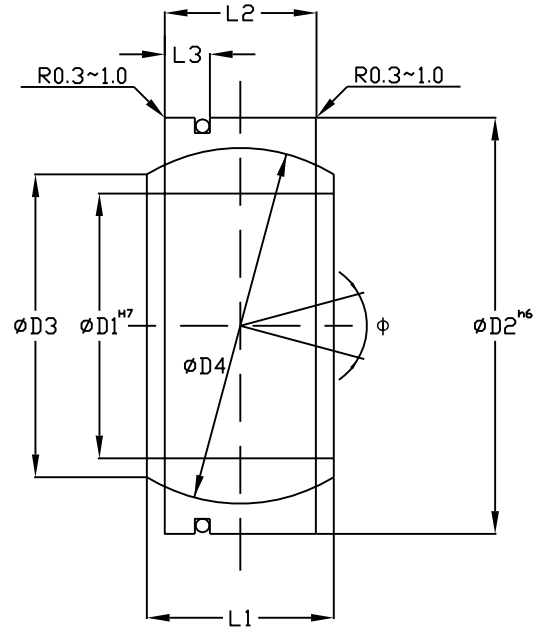
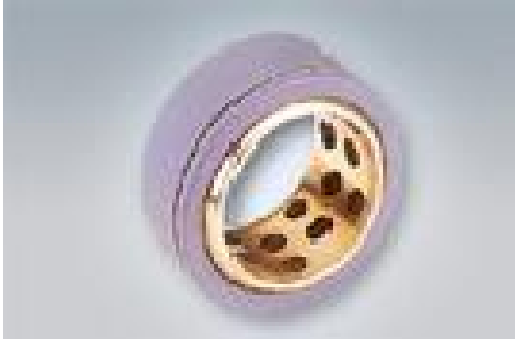
BF Bearing Code	D1	D1 Tol F7	D2	t	D3	No. Tap	Tap Size	Chamfer a	Chamfer b
50AW-1003	10.2	+0.2 +0.1	30	3	20	2	M3	1.5	0.3
50AW-1203	12.2				40				
50AW-1203N			13.2			50	28	2	
50AW-1303	14.2				55		35		
50AW-1403			15.2			60	2	M3	
50AW-1503	16.2				70				
50AW-1603			18.2	80		2	M5		
50AW-1603N	20.2				90			2	
50AW-1803			25.2	100		2	M5		
50AW-2005	30.2				110			2	
50AW-2505			35.2	120		2	M5		
50AW-3005	40.2				125			2	
50AW-3505			45.2	130		2	M5		
50AW-4007	50.3				130			7	
50AW-4507			55.3	140		8	70		
50AW-5008	60.3				140			8	
50AW-5508		65.3	150	10		85	M6		4
50AW-6008	70.3				150			10	
50AW-6508		75.3	150	10		95	M6		4
50AW-7010	80.3				160			10	
50AW-7510		85.3	160	10		110	4		M8
50AW-8010	90.3				170			10	
50AW-9010		95.3	170	10		140	4		M8
50AW-10010	100.5				170			10	
50AW-12010		100.5	190	10		160	4		M10
50AW-12010	120.5				200			10	

**NOTE:**

Evenly distributed graphite to cover 20-30% of the sliding surface.  
 Graphite to be positioned to insure overlapping in the sliding direction.  
 Bushings require initial lubrication with light oil. Do not use grease!



# 商帥企業有限公司 BF Bearing Enterprise



$\phi$  : Degree of Rotation Allowed

## Spherical Bushing w/ Casing - Self-Lubricating

BF Bearing Code	D1	D1 Tol H7	D2	D2 Tol h6	D3	D4	L1	L2	L2 Tol	L3	$\phi$	Moving Load N {kgf}	Still Load N {kgf}
50AB-2035	20	+0.021 +0	35	0 -0.011	24	29	16	12	0 -0.2	5	9°	9410 {960}	23500 {2400}
50AB-2542	25		42		29	35.5	20	16			7°	15600 {1600}	39200 {4000}
50AB-3047	30		47		34	40.7	22	18			6°	21100 {2160}	52900 {5400}
50AB-3555	35	+0.025 +0	55	0 -0.013	40	47	25	20	0 -0.3	6	6°	27400 {2800}	68600 {7000}
50AB-4062	40		62		45	53	28	22				34500 {3520}	86200 {8800}
50AB-4568	45		68		51	60	32	25			44100 {4500}	109000 {11200}	
50AB-5075	50		75		56	66	35	28			54900 {5600}	137000 {14000}	
50AB-6090	60	+0.030 +0	90	0 -0.016	67	80	44	36	0 -0.4	6	6°	84700 {8640}	211000 {21600}
50AB-70105	70		105		78	92	49	40				109000 {11200}	274000 {28000}
50AB-80120	80		120		89	105	55	45				141000 {14400}	353000 {36000}
50AB-90130	90	+0.035 +0	130	0 -0.019	98	115	60	50	0 -0.5	7	5°	176000 {18000}	441000 {45000}
50AB-100150	100		150		110	130	70	55			7°	215000 {22000}	539000 {55000}
50AB-110160	110		160		121	140	70	55			6°	237000 {24200}	593000 {60500}
50AB-120180	120		180		136	160	85	70				329000 {33600}	823000 {84000}

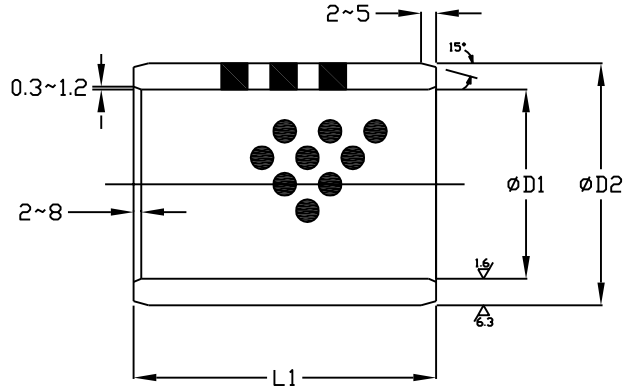
### NOTE:

Evenly distributed graphite to cover 20-30% of the sliding surface.  
 Graphite to be positioned to insure overlapping in the sliding direction.  
 Bushings require initial lubrication with light oil. Do not use grease!



商帥企業有限公司

**BF Bearing Enterprise**



**Straight Bushing (Bronze) - Self-Lubricating**

BF Bearing Code	D1	D1 Tol	D2	D2 Tol	L1 Overall Length
50B-203020	20		30	+ 0.049 + 0.028	20
50B-203025					25
50B-203030					30
50B-253520	25	+0.105 +0.072	35		20
50B-253530					30
50B-253540					40
50B-304025	30		40		25
50B-304030					30
50B-304040					40
50B-304225			25		
50B-304230			30		
50B-304240			40		
50B-324230	32		42		30
50B-324240					40
50B-324530					30
50B-324540	35	+0.144 +0.105	45		40
50B-354530					30
50B-354540					40
50B-354550	35		48		50
50B-354830					30
50B-354840					40
50B-354850					50
50B-405030					30
50B-405040	40		50		40
50B-405050					50

**Straight Bushing (Bronze) - Self-Lubricating**

BF Bearing Code	D1	D1 Tol	D2	D2 Tol	L1 Overall Length
50B-405530	40		55		30
50B-405540					40
50B-405550					50
50B-455540	45		60		40
50B-455550					50
50B-456040					40
50B-456050	50	+0.144 +0.105	65		50
50B-506040					40
50B-506050					50
50B-506060			60		
50B-506540			40		
50B-506550			50		
50B-506560	60				
50B-557050	55		70		50
50B-557060					60
50B-557550					50
50B-557560	60		75		60
50B-607550					50
50B-607560					60
50B-607580					80
50B-608050					50
50B-608060	60				
50B-608080	65		80		80
50B-658060					60
50B-658080					80



商帥企業有限公司

**BF Bearing Enterprise**

Straight Bushing (Bronze) - Self-Lubricating						
BF Bearing Code	D1	D1 Tol	D2	D2 Tol	L1 Overall Length	
50B-658560	65	+0.190 +0.144	85	+ 0.086 + 0.051	60	
50B-658580					80	
50B-708560	70				90	60
50B-708580						80
50B-709060			60			
50B-709080	75		95		80	
50B-759060					60	
50B-759080			80			
50B-759560			60			
50B-759580	80		100		+ 0.089 + 0.054	80
50B-809560		60				
50B-809580		80				
50B-8095100		100				
50B-8010060		60				
50B-8010080		80				
50B-80100100	100					
50B-8510080	85	105	+ 0.089 + 0.054	80		
50B-85100100				100		
50B-8510580				100		
50B-85105100	90	115	+ 0.089 + 0.054	80		
50B-9011080				100		
50B-90110100				80		
50B-9011580				100		
50B-90115100	95	120	+ 0.103 + 0.063	80		
50B-9511580				100		
50B-95115100				80		
50B-9512080				100		
50B-95120100	100	125	+ 0.103 + 0.063	80		
50B-10012080				100		
50B-100120100				120		
50B-100120120				80		
50B-10012580				100		
50B-100125100				120		
50B-100125120						

**NOTE:**

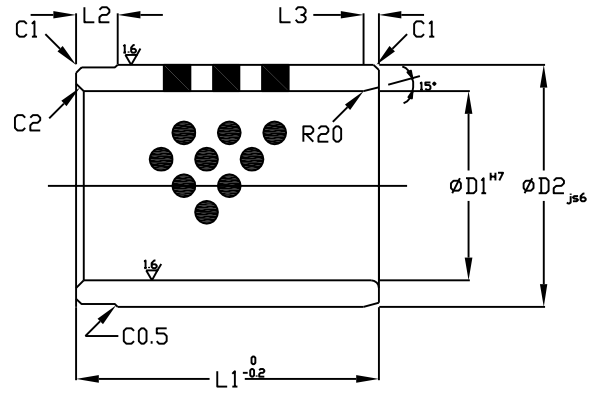
Evenly distributed graphite to cover 20-30% of the sliding surface.  
 Graphite to be positioned to insure overlapping in the sliding direction.  
 Bushings require initial lubrication with light oil. Do not use grease!





# 商帥企業有限公司

# BF Bearing Enterprise



Straight Guide Bushing - Self-Lubricating							
BF Bearing Code	D1	D1 Tol H7	D2	D2 Tol js6	L1 Overall Length	L2	L3
50AGB-356055	35	+0.025 0	60	±0.095	55	15	5
50AGB-406055	40		70		75		
50AGB-507075	50		80		90	20	
50AGB-608090	60	+0.030 0	100	±0.011	120	25	10
50AGB-80100120	80	120	150				
50AGB-100120150	100	+0.035 0	140		180		
50AGB-120140180	120			±0.0125			

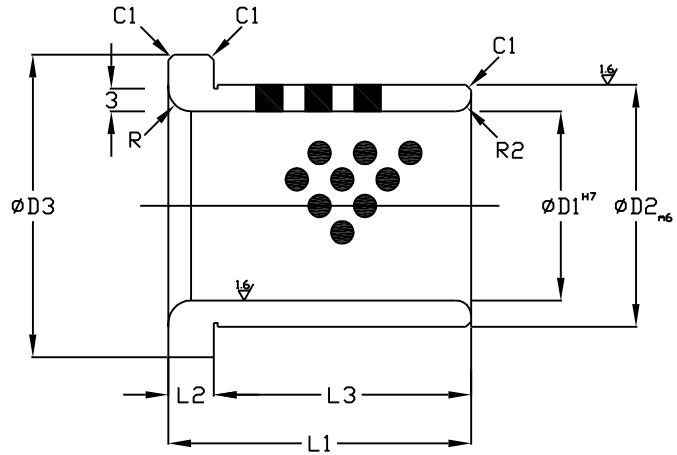
**NOTE:**

Evenly distributed graphite to cover 20-30% of the sliding surface.  
 Graphite to be positioned to insure overlapping in the sliding direction.  
 Bushings require initial lubrication with light oil. Do not use grease!



# 商帥企業有限公司

# BF Bearing Enterprise



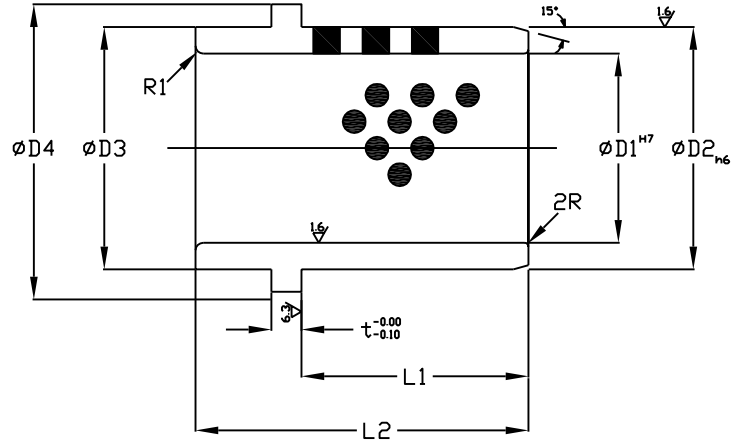
Shoulder Guide Bushing - Self-Lubricating									
BF Bearing Code	D1	D1 Tol H7	D2	D2 Tol m6	D3	L1 Overall Length	L2	L3	R
50AGF-253540	25	+0.021	35	+ 0.025	45	40	7	33	10
50AGF-304050	30	0	40	+ 0.009	50	50	10	40	20
50AGF-405570	40	+0.025	55	+ 0.030 + 0.011	65	70		60	
50AGF-506580	50	0	65		75	80			
50AGF-607580	60	+0.030 0	75		85	70			
50AGF-658080	65		80	90	110	90			
50AGF-80100100	80		100	110	100	130			
50AGF-80100140			140		130				
50AGF-100120100	100	+0.035	120	+ 0.035 + 0.013	130	100		90	
50AGF-100120140		0				140		130	

**NOTE:**

Evenly distributed graphite to cover 20-30% of the sliding surface.  
 Graphite to be positioned to insure overlapping in the sliding direction.  
 Bushings require initial lubrication with light oil. Do not use grease!



# 商帥企業有限公司 BF Bearing Enterprise



Ejector Bronze Guide Bushing - Self Lubricating

BF Bearing Code	D1	D1 Tol H7	D2	D2 Tol h6	D3	D4	t	L1	L2 Overall Length
50AGE-132225	13	+0.018 +0.000	22	-0.000 -0.013	22	25	4	14	25
50AGE-162525	16		25		25	28		19	33
50AGE-162533	20	+0.021 +0.000	30	30	33	14		25	
50AGE-203025						19		33	
50AGE-203033						19		38	
50AGE-203038						24		43	
50AGE-203043	25	35	35	38	14	25			
50AGE-253525					19	33			
50AGE-253533					19	38			
50AGE-253538					24	43			
50AGE-253543	30	40	40	43	24	53			
50AGE-253553					19	33			
50AGE-304033					24	38			
50AGE-304038					24	43			
50AGE-304043	35	45	45	48	29	53			
50AGE-304053					19	33			
50AGE-354538					24	38			
50AGE-354543					24	43			
50AGE-354553	40	55	55	61	29	53			
50AGE-354568					29	53			
50AGE-405543					39	68			
50AGE-405553					24	43			
50AGE-405568	50	65	65	71	29	53			
50AGE-506553					29	53			
50AGE-506568	39	68							

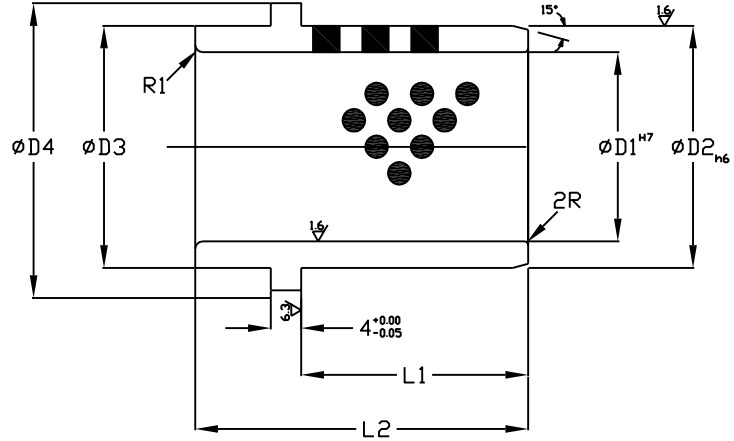
**NOTE:**

Evenly distributed graphite to cover 20-30% of the sliding surface.  
 Graphite to be positioned to insure overlapping in the sliding direction.  
 Bushings require initial lubrication with light oil. Do not use grease!



# 商帥企業有限公司

## BF Bearing Enterprise



Short Ejector Bronze Guide Bushing - Self Lubricating								
BF Bearing Code	D1	D1 Tol H7	D2	D2 Tol h6	D3	D4	L1	L2 Overall Length
50ASE-132210	13	+0.018 +0.000	22	- 0.000 - 0.013	22	25	10	24
50ASE-132213							13	27
50ASE-132215							15	29
50ASE-162513	16	+0.021 +0.000	25	- 0.000 - 0.016	25	28	13	27
50ASE-162515							15	29
50ASE-162520							20	34
50ASE-203013	20	+0.021 +0.000	30	- 0.000 - 0.016	30	33	13	27
50ASE-203015							15	29
50ASE-203020							20	34
50ASE-253515	25	+0.021 +0.000	35	- 0.000 - 0.016	35	38	15	29
50ASE-253520							20	34
50ASE-253525							25	39
50ASE-304015	30	+0.025 +0.000	40	- 0.000 - 0.019	40	43	15	34
50ASE-304020							20	39
50ASE-304025							25	44
50ASE-354520	35	+0.025 +0.000	45	- 0.000 - 0.019	45	48	20	44
50ASE-354525							25	49
50ASE-405220	40	+0.025 +0.000	52	- 0.000 - 0.019	52	55	20	44
50ASE-405225							25	49
50ASE-405230							30	54
50ASE-506225	50	+0.025 +0.000	62	- 0.000 - 0.019	62	65	25	49
50ASE-506230							30	54

### NOTE:

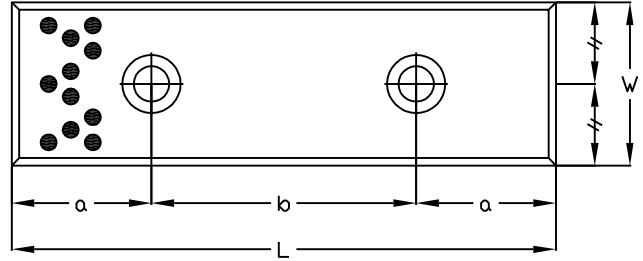
Evenly distributed graphite to cover 20-30% of the sliding surface.  
 Graphite to be positioned to insure overlapping in the sliding direction.  
 Bushings require initial lubrication with light oil. Do not use grease!



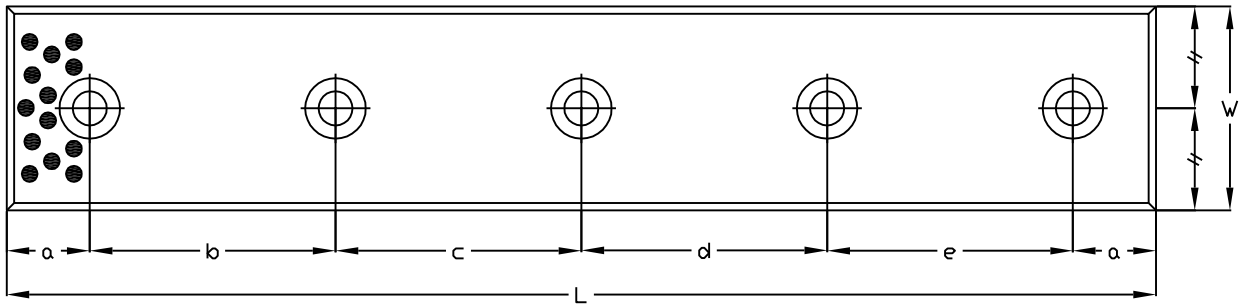
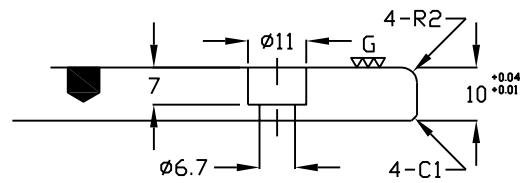
商帥企業有限公司

**BF Bearing Enterprise**

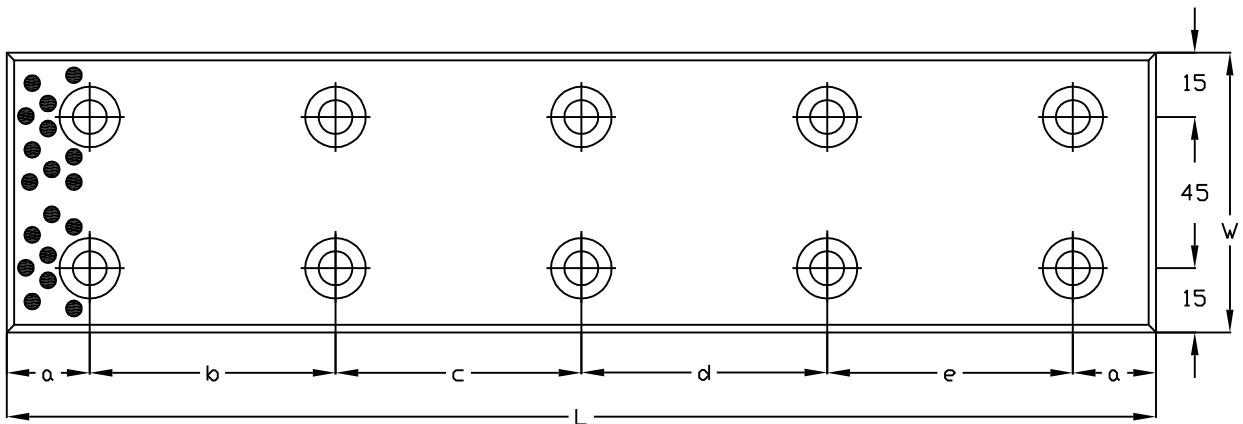
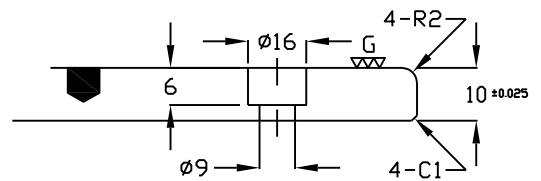
## WEAR PLATE - AFP



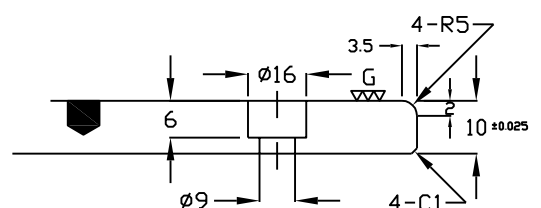
TYPE A



TYPE B



TYPE C





商帥企業有限公司

**BF Bearing Enterprise**

Wear Plate - Self-Lubricating											
BF Bearing Code	W	L	a	b	c	d	e	No. Tap	Tap Size	Type	
50AFP-1875	18	75	25	45				2	M6	TYPE A	
50AFP-18100		100		50							
50AFP-18125		125		75							
50AFP-18150		150		100							
50AFP-2875	28	75	25	45				2	M6	TYPE A	
50AFP-28100		100		50							
50AFP-28125		125		75							
50AFP-28150		150		100							
50AFP-35100	35	100	20	60				3	M8	TYPE B	
50AFP-35150		150		55	55						
50AFP-35200		200		55	50	55					4
50AFP-35250		250		70	70	70					5
50AFP-35300		300		65	65	65	65				4
50AFP-35350		350		80	75	75	80	5			
50AFP-3875	38	75	25	45				2	M6	TYPE A	
50AFP-38100		100		50							
50AFP-38125		125		75							
50AFP-38150		150		100							
50AFP-4875	48	75	25	45				2	M6	TYPE A	
50AFP-48100		100		50							
50AFP-48125		125		75							
50AFP-48150		150		100							
50AFP-50100	50	100	20	60				3	M8	TYPE B	
50AFP-50150		150		55	55						
50AFP-50200		200		55	50	55					4
50AFP-50250		250		70	70	70		5			
50AFP-50300		300		65	65	65	65	4			
50AFP-50400		400		90	90	90	90	5			
50AFP-75150	75	150	20	110				4	M8	TYPE C	
50AFP-75200		200		80	80						
50AFP-75250		250		105	105			6			
50AFP-75300		300		85	90	85		8			
50AFP-75400		400		120	120	120		10			
50AFP-75500		500		115	115	115	115	10			

**NOTE:**

Evenly distributed graphite to cover 20-30% of the sliding surface.  
 Graphite to be positioned to insure overlapping in the sliding direction.  
 Bushings require initial lubrication with light oil. Do not use grease!





商帥企業有限公司

**BF Bearing Enterprise**

Wear Plate - Self-Lubricating								
BF Bearing Code	W1	L1	W2	W3	L2	L3	No. Tap	Chamfer Type
50AWP-100100	100	100	50	25	50	25	4	TYPE A
50AWP-100125		125			75			
50AWP-100150		150			100			
50AWP-100200		200			150			
50AWP-100250		250			200			
50AWP-125150	125	150	100	37.5	100	25	4	TYPE A
50AWP-125200		200			150			
50AWP-125250		250			200			
50AWP-150150	150	150	100	25	100	25	4	TYPE A
50AWP-150200		200			150			
50AWP-150250		250			200			

**NOTE:**

Evenly distributed graphite to cover 20-30% of the sliding surface.  
Graphite to be positioned to insure overlapping in the sliding direction.  
Bushings require initial lubrication with light oil. Do not use grease!

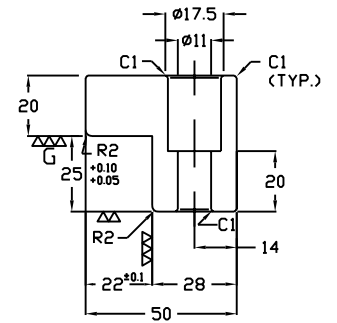
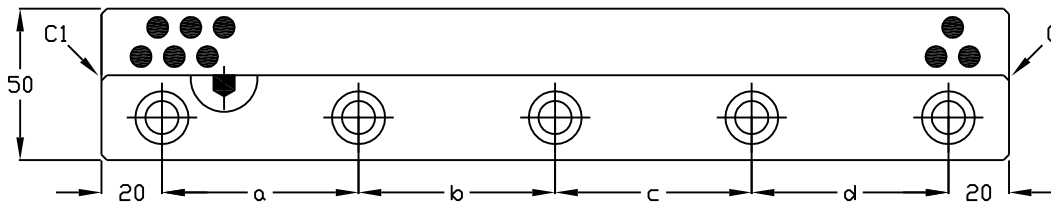
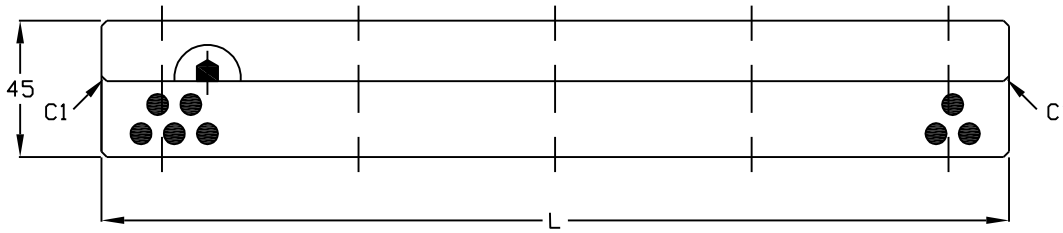
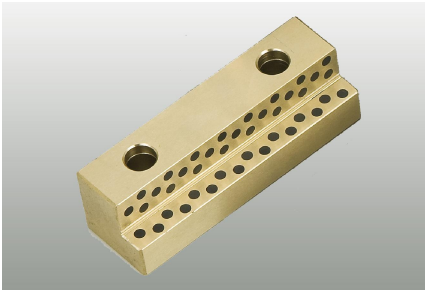




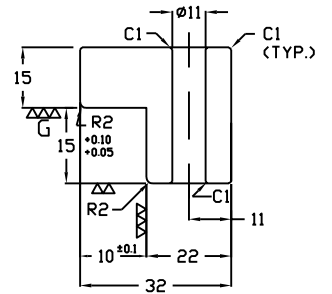
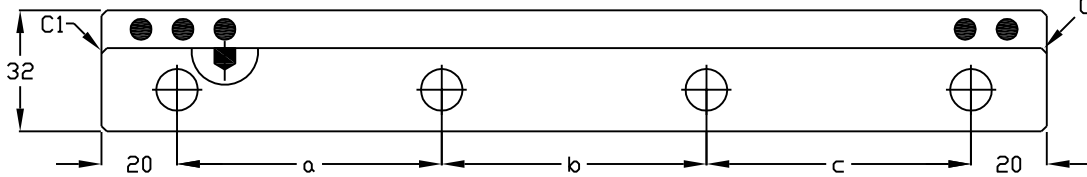
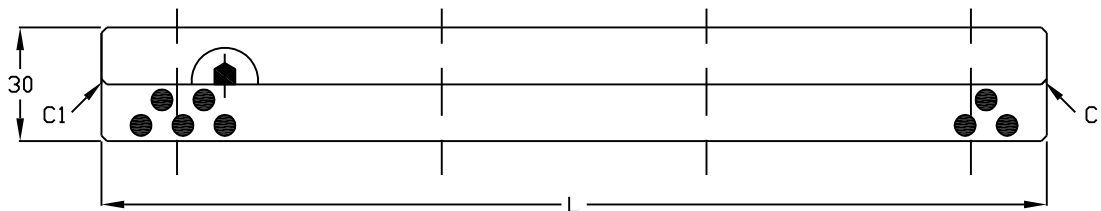
# 商帥企業有限公司

# BF Bearing Enterprise

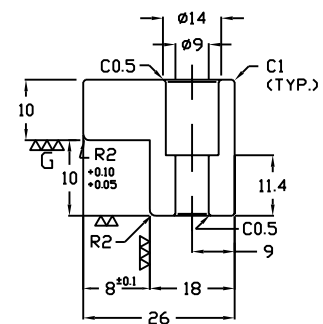
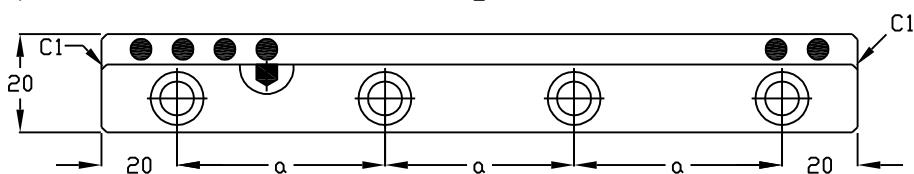
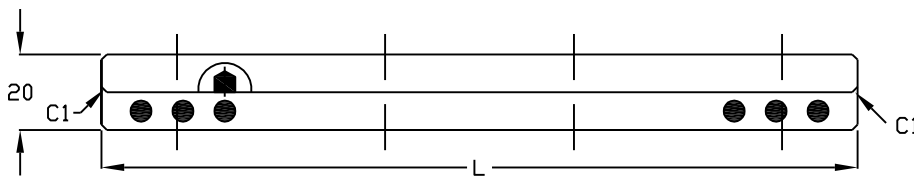
## L-Gibs - ALP



TYPE A



TYPE B



TYPE C



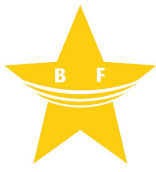
商帥企業有限公司

**BF Bearing Enterprise**

L-Gibs - Self-Lubricating								
BF Bearing Code	Type	L	a	b	c	d	No. Tap	Tap Size
50ALP-26100C	Type C	100	60				2	M8
50ALP-26150C		150	55	55			3	
50ALP-26200C		200		50	55		4	
50ALP-32100B	Type B	100	60				2	M10
50ALP-32150B		150	55	55			3	
50ALP-32200B		200		50	55		4	
50ALP-32250B		250	70	70	70			
50ALP-50200A	Type A	200	55	50	55		4	
50ALP-50250A		250	70	70	70			
50ALP-50300A		300	65	65	65	65	5	
50ALP-50350A		350	80	75	75	80		

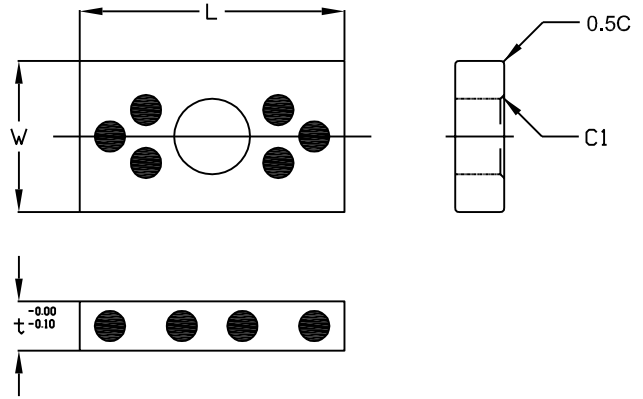
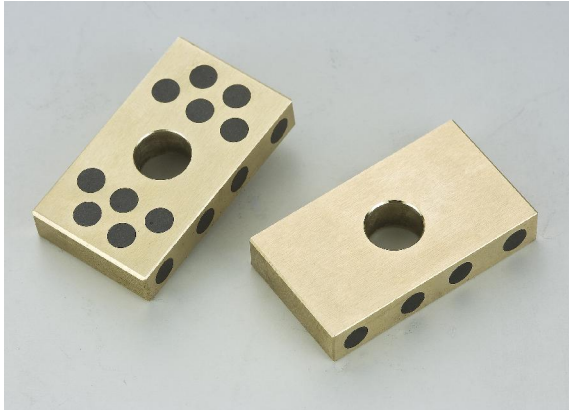
**NOTE:**

Evenly distributed graphite to cover 20-30% of the sliding surface.  
Graphite to be positioned to insure overlapping in the sliding direction.  
Bushings require initial lubrication with light oil. Do not use grease!



# 商帥企業有限公司

## BF Bearing Enterprise



Slide Plate - Self-Lubricating					
BF Bearing Code	W	W Tol	L	L Tol	t
50ASE-2035	20	-0.020 -0.040	35	+ 0.200 - 0.200	6.5
50ASE-2040	20		40		6.5
50ASE-2440	24		40		6.5
50ASE-2645	26		45		7.0
50ASE-3055	30		55		7.5

**NOTE:**

Evenly distributed graphite to cover 20-30% of the sliding surface.  
 Graphite to be positioned to insure overlapping in the sliding direction.  
 Bushings require initial lubrication with light oil. Do not use grease!